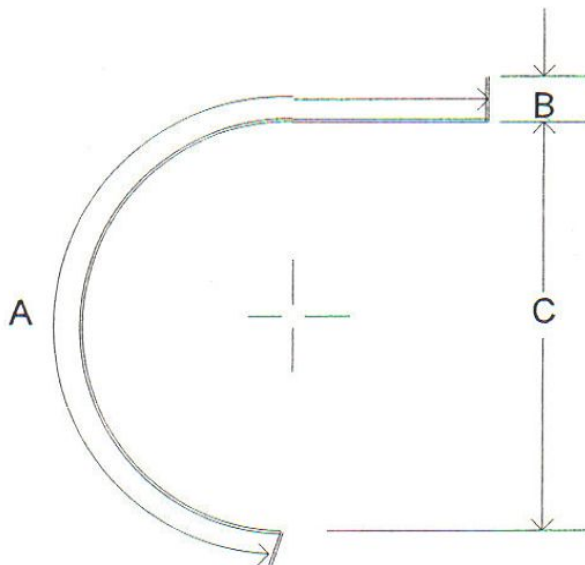


HOOD COVER DETAILS



A	DISTANCE AROUND HOOD
B	HEIGHT OF BACK FLANGE
C	HEIGHT OF END BRACKET
D	TOTAL LENGTH OF HOOD

A	
B	
C	
D	

HOOD BAFFLE: YES ___ NO ___

HOOD BRACKETS _____

ONE PC HOOD ASSMY. _____

MULTI-PC HOOD ASSMY. _____

NO. OF PCS _____

24GA PLAIN GALV. HOOD _____

24GA PRIMED HOOD _____

#304 S.S. HOOD _____

ALUMINUM HOOD _____

WARREN DOOR CO.		
1 - 800 - ALL - DOOR		