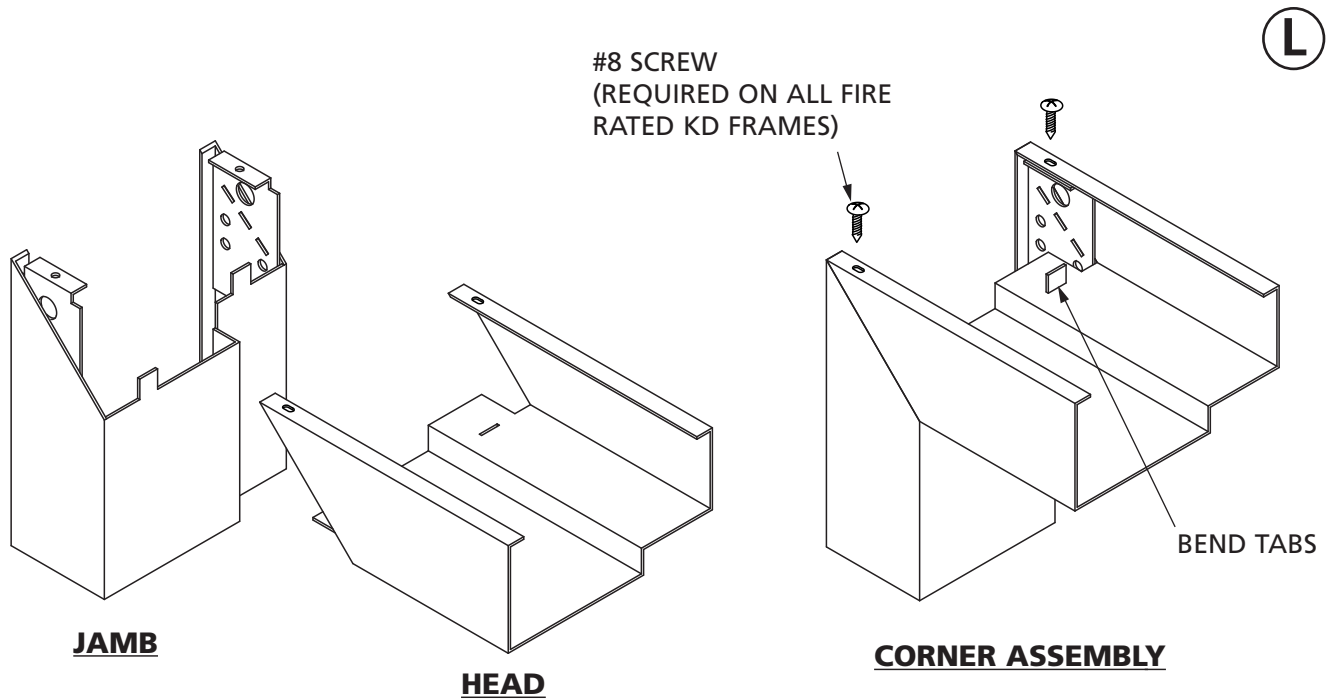
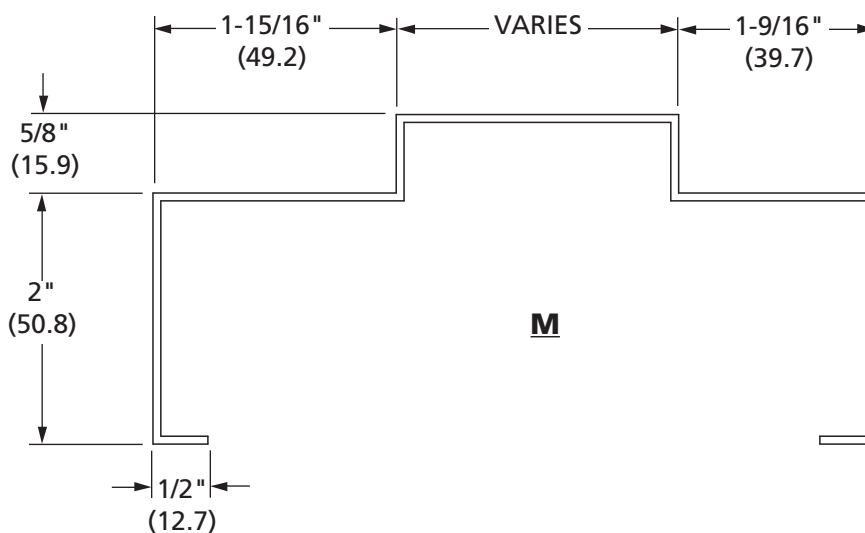


Masonry KD "G" Profile - Corner Details FRAME TECHNICAL DATA

April 1, 2002



Masonry KD 2" Face Flush Frame Unequal Rabbet



KD "M" TYPE FLUSH
 GAUGE - 18 GA. (1.2), 16 GA. (1.4), 14 GA. (1.9)
 VARIABLE SOFFIT
 JAMB DEPTH 4-1/2" (114.3) THRU 14" (355.6) (1/8" (3.2) INCREMENTS)
 AVAILABLE WITH 4" (101.6) FACE HEADS
NOTE: 5-3/4" (146.1) JAMB DEPTH STANDARD WITH 7/16" (11.1) RETURNS
 TO PROVIDE 4-7/8" (123.8) THROAT OPENING