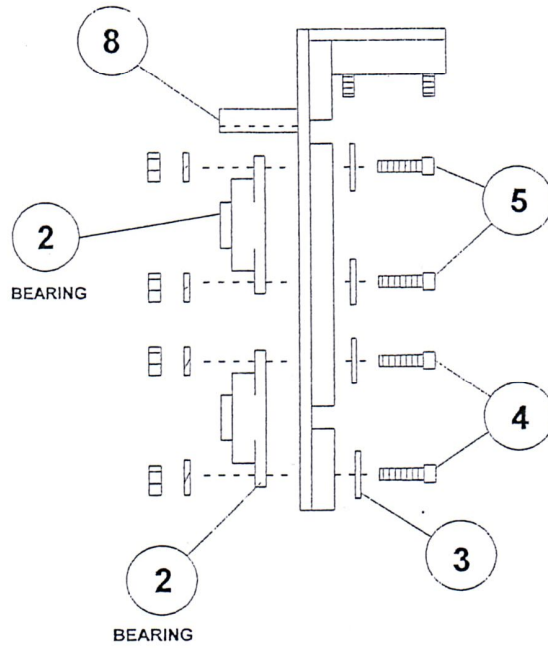
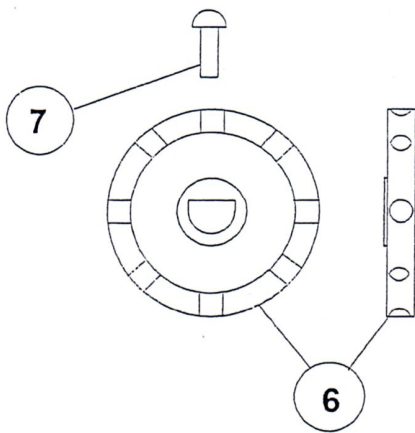


1
END BRACKET - CHARGING SIDE



NOTE: LEFT SIDE SHOWN
RIGHT SIDE OPPOSITE



7
6
AW CHARGING WHEEL AND PIN

WARREN DOOR SALES		NATL. 1 800 227 7412 OHIO 1 800 227 7411
SCALE:		RDK
DATE:		
CHARGING WHEEL		DWG. NO. K
END BRACKET ASSEMBLY		