

MODEL
WD 660

Insulated doors for openings up to 20' wide x 20' high

WARREN DOOR®

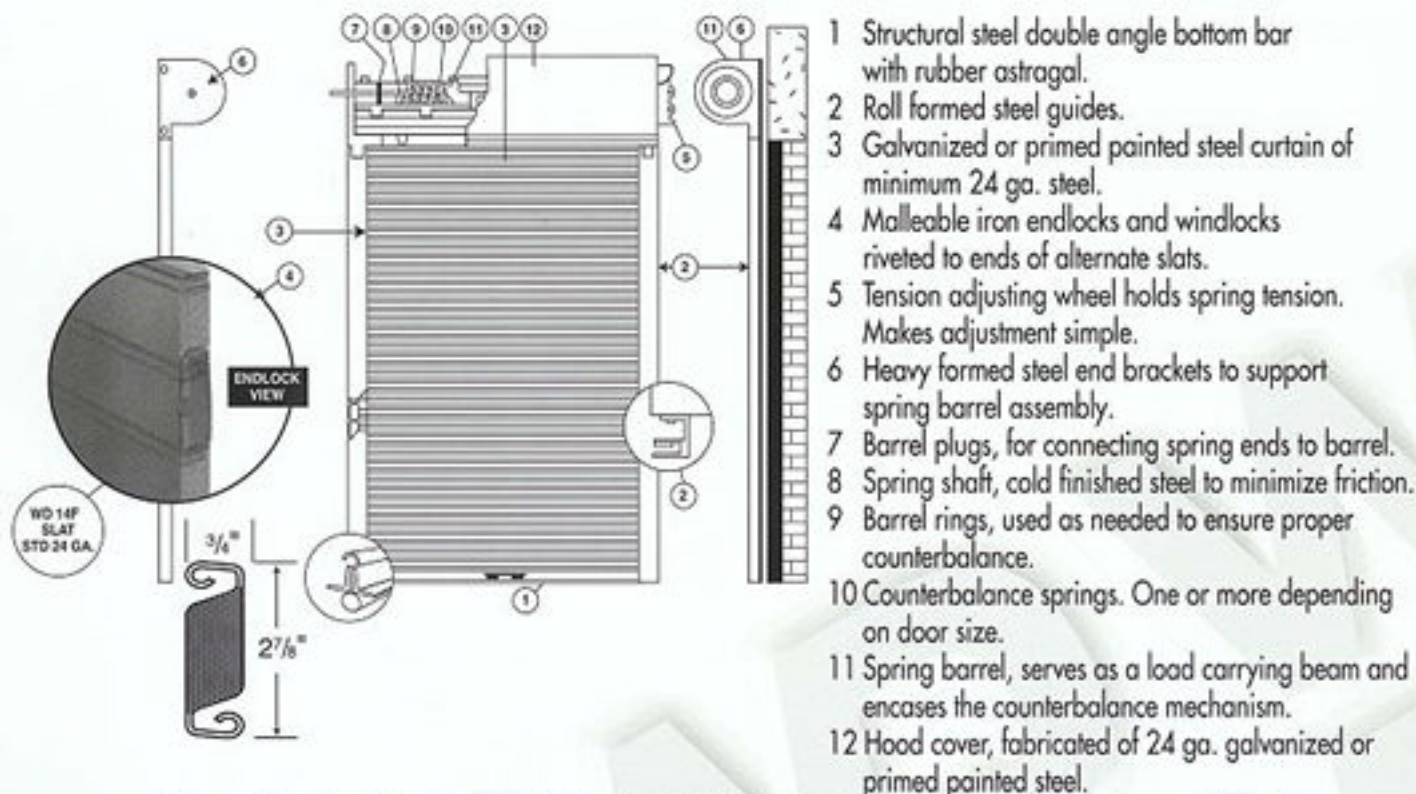
"The Industrial Door People"

One Day Shipment Available

**ALL DOORS ARE
PREASSEMBLED
FOR QUICK
INSTALLATION**

MODEL WD 660

Service door construction features



All doors are F.O.B. Niles, Ohio and are set up for either right or left hand operation. Each door has a bottom bar with loop astragal and a 24 gauge galvanized steel hood. Guides are steel roll form channel with windlock bar on doors 12" and wider. All doors can be adapted to motor or chain hoist operation. All doors will be shipped completely assembled unless noted at time of order.

Motor Operation:

- 1/2 H.P. motor operator with pre-wired operator mounted control panel to NEMA 1 standards. To include manual disconnect. Max. door size 160 sq. ft.
- 1 H.P. motor operator with pre-wired operator mounted control panel to NEMA 1 standards. To include manual disconnect. Max. door size 350 sq. ft.
- 2 H.P. for door size over 320 sq. ft.

Available Extras

- Brush Lintel Weatherstripping
- Hood Baffle
- Guide Weatherstripping
- Slide Bolts (Pr.)
- Pneumatic Safety Edge
- Structural 3-Angle Guides

DISTRIBUTED BY:

MANUFACTURED BY:

WD WARREN DOOR®
"The Industrial Door People"
NILES, OHIO

1-800-ALL DOOR • (1-800-255-3667)

FAX (330) 652-5939

Email: alldoor@aol.com

Visit our Web site @: <http://www.warrendoor.com>